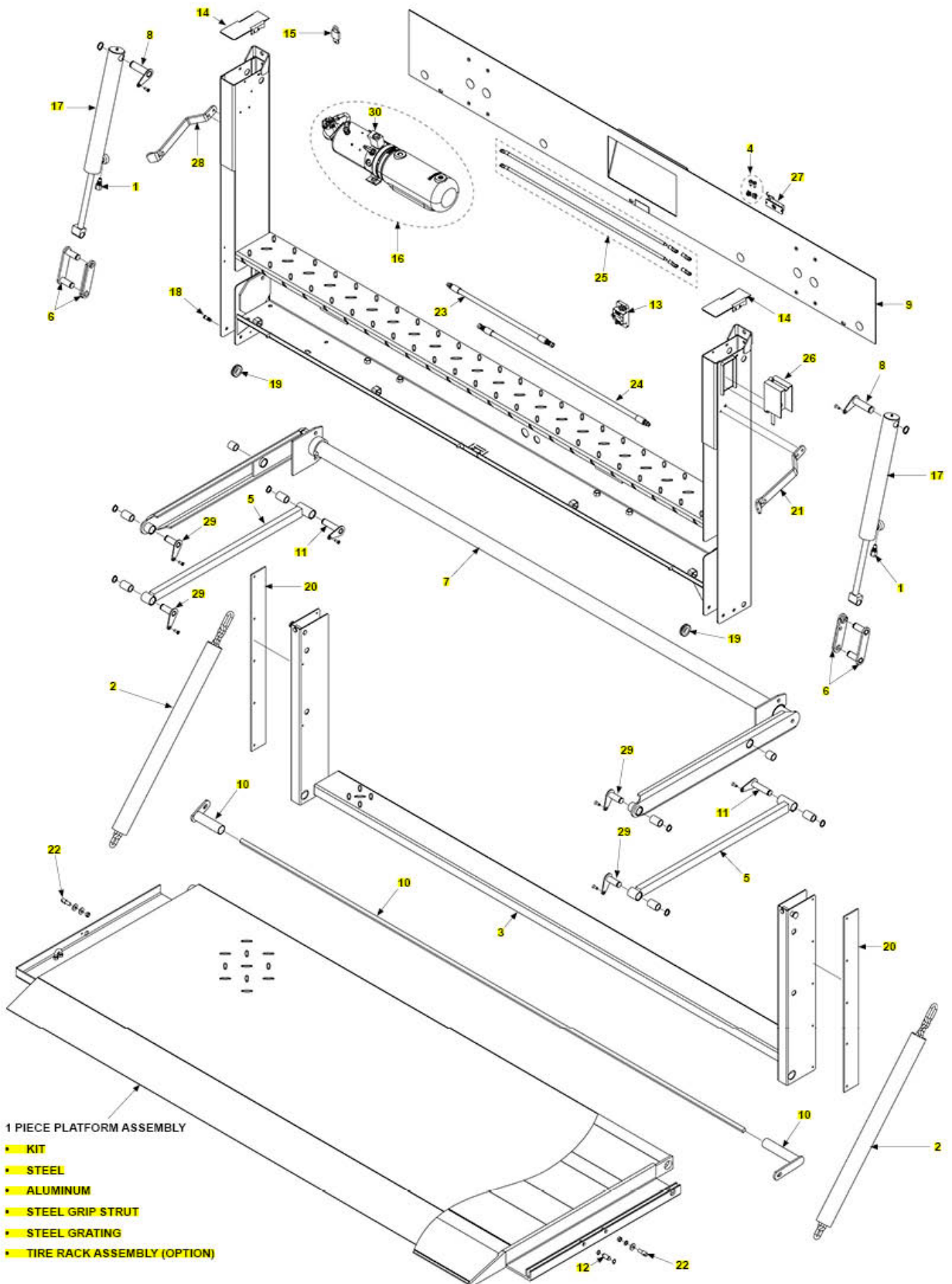


SPARE PARTS LIST

C2 Stakebed

ME2 C2 STAKEBED LIFTGATE - FINAL ASSEMBLY

AUG 2019 to present



SPARE PARTS LIST

C2 Stakebed

Pos	CPN	Qty	Description
1	906934-01	2	CYL, FLOW VALVE
2	295436-02	1	CHAIN & SLEEVE (40 LINKS) (13651)
2	295437-02	1	C2 RPLC CHN & SLV P/F AL (33 LINKS) (13650)
3	295481-01	1	C2 92 RPLC PIN MOUNT ASSY, 92" LG (2538)
3	295481-01G	1	C2 92 RPLC PIN MOUNT ASSY, 92IN LG, GALV (2538)
4	295440-01	1	LICENSE PLATE MOUNT KIT (1111)
5	295482-01	1	C2 92 RPLC PARALLEL ARM ASSY (2539)
5	295482-01G	1	C2 92 RPLC PARALLEL ARM ASSY, GALV (2539)
6	295483-01	1	C2 92 RPLC LINK PLATE (2540)
7	295484-01	1	C2 RPLC LIFTFRAME, 91" LG (2544)
8	295444-01	1	C2 7/8" RPLC CYLINDER PIN (2180)
9	299665-01	1	M/F COVER ASSY, STKBD 92IN
9	299665-11	1	M/F COVER ASSY, STKBD 92IN, GALV
10	295486-01	1	C2 92 SQ.TORSION SPRING KIT (8119)
10	295487-01	1	C2 92 SQ.TORSION SPRING KIT AL (8033)
11	295449-01	1	C2 3/4" RPLC BACK ARM PIN (2181)
12	295473-01	1	RPLC PLATFORM CHAIN PIN (4712)
13	295450-01	1	RPLCMNT 150 AMP CIRCUIT BREAKER (998)
14	295451-01	1	C2 RPLC COLUMN COVER (2015)
15	908221-01	1	PADLOCK, 3/16" SHACKLE (966)
16	295151-01	1	12 VDC, PUMP & MOTOR
17	295489-01	1	C2 92 RPLCMNT CYLINDER STK BED (2559)
18	295472-01	1	REPLACEMENT DROPAWAY PIN (1010)
19	267047-01	1	GROMMET, BATTERY BOX (972)
20	295456-02	1	C2 92 PINMOUNT PLASTIC COVER (2560)
21	295494-02	1	C2 92 RPLCMNT LATCH KIT-RIGHT (2584)
21	295494-02G	1	C2 92 RPLCMNT LATCH KIT-RIGHT, GALV (2584)
22	295468-01	1	C2 REPLACEMENT PLATFORM LATCH PIN (2020)
23	289446-06	1	1/4 HYD HOSE 27"LG (2578)
24	289446-05	1	1/4 HYD HOSE 86" LG (2581)

SPARE PARTS LIST

C2 Stakebed

Pos	CPN	Qty	Description
25	295459-02	1	RPLCMNT 4 GA. 2 WIRE W/LUGS-36 FT. (4708)
26	295461-01	1	REPLACEMENT SWITCH CONTROL (987)
27	295462-01	1	REPLACEMENT LICENSE PLATE BRACKET (10199)
27	907210-01	1	LICENSE PLATE LIGHT ASSY KIT
28	295494-01	1	C2 92 RPLCMNT LATCH KIT-LEFT (2583)
28	295494-01G	1	C2 92 RPLCMNT LATCH KIT-LEFT, GALV (2583)
29	295449-02	1	C2 3/4" REPLACEMENT FRONT ARM PIN (4708)
30	295465-01	1	SOLENOID WITH CONNECTOR (9645)
STEEL	295055-03	1	C2 ST P/F WELDT, 95.25" X 41.75"
STEEL	295055-03-101	1	C2 ST P/F WELDT, 76.25" X 41.75"
STEEL	295055-03-201	1	C2 ST P/F WELDT, 84.75IN X 41.75IN
STEEL	295055-03-301	1	C2 ST P/F WELDT, 90.25IN X 35.75IN
STEEL	295055-04	1	C2 ST P/F WELDT, 95.25" X 35.75"
STEEL	295055-04-101	1	C2 ST P/F WELDT, 76.25" X 35.75"
STEEL	295055-04-201	1	C2 ST P/F WELDT, 84.75" X 35.75"
STEEL	295055-04-301	1	C2 ST P/F WELDT, 90.25IN X35.75IN
ALUM	295640-01	1	AL P/F WELDT, 95.25 X 37.50
ALUM	295640-01-101	1	AL P/F WELDT, 76.25 X 37.50
ALUM	295640-01-201	1	AL P/F WELDT, 90.25 X 37.50
ALUM	295640-02	1	AL P/F WELDT, 95.25 X 42.25
ALUM	295640-02-101	1	AL P/F WELDT, 76.25 X 42.25
ALUM	295640-02-201	1	AL P/F WELDT, 90.25 X 42.25
ALUM	295640-03-101	1	AL P/F WELDT, 84.25 X 37.50
ALUM	295640-04-101	1	AL P/F WELDT, 84.25 X 42.25
GRIP	296530-01	1	F/S GRIP P/F WELDT, 95.25IN X 28IN
GRIP	296530-01-101	1	F/S GRIP P/F WELDT, 84.75IN X 28IN
GRIP	296530-01G	1	F/S GRIP P/F WELDT, 95.25IN X 28IN, GALV
GRIP	296530-01G-101	1	F/S GRIP P/F WELDT, 84.75INX 28IN, GALV
GRIP	296530-02-101	1	F/S GRIP P/F WELDT, 76.25IN X 28IN
GRIP	296530-02G-101	1	F/S GRIP P/F WELDT, 76.25IN X 28IN, GALV
GRIP	296530-03-101	1	F/S GRIP P/F WELDT, 90.25IN X 28IN

SPARE PARTS LIST**C2 Stakebed**

Pos	CPN	Qty	Description
GRIP	296530-03G-101	1	F/S GRIP P/F WELDT, 90.25IN X 28IN, GALV
KIT	295476-01	1	C2 92 RPLC ST P/F, 95.25" X 36" (2531)
KIT	295477-01	1	C2 92 RPLC ST P/F, 95.25" X 42" (2532)
KIT	295478-01	1	C2 92 RPLC AL P/F 95.25" X 37.50" (2533, 1642)
KIT	295479-01	1	C2 92 RPLC AL P/F 95.25" X 42.25" (2534, 1224)
GRATE	296520-01	1	GRATING P/F WELDT, 28 X 95.25
GRATE	296520-01G	1	GRATING P/F WELDT, 28.95.25, GALV
GRATE	296520-02	1	GRATING P/F WELDT, 28 X 76.25
GRATE	296520-02G	1	GRATING P/F WELDT, 28 X 76.25, GALV
GRATE	296520-03	1	GRATING P/F WELDT, 28X84.75
GRATE	296520-03G	1	GRATING P/F WELDT, 28 X 84.75, GALV
GRATE	296520-04	1	GRATING P/F WELDT, 28 X 90.25
GRATE	296520-04G	1	GRATING P/F WELDT, 28 X 90.25, GALV