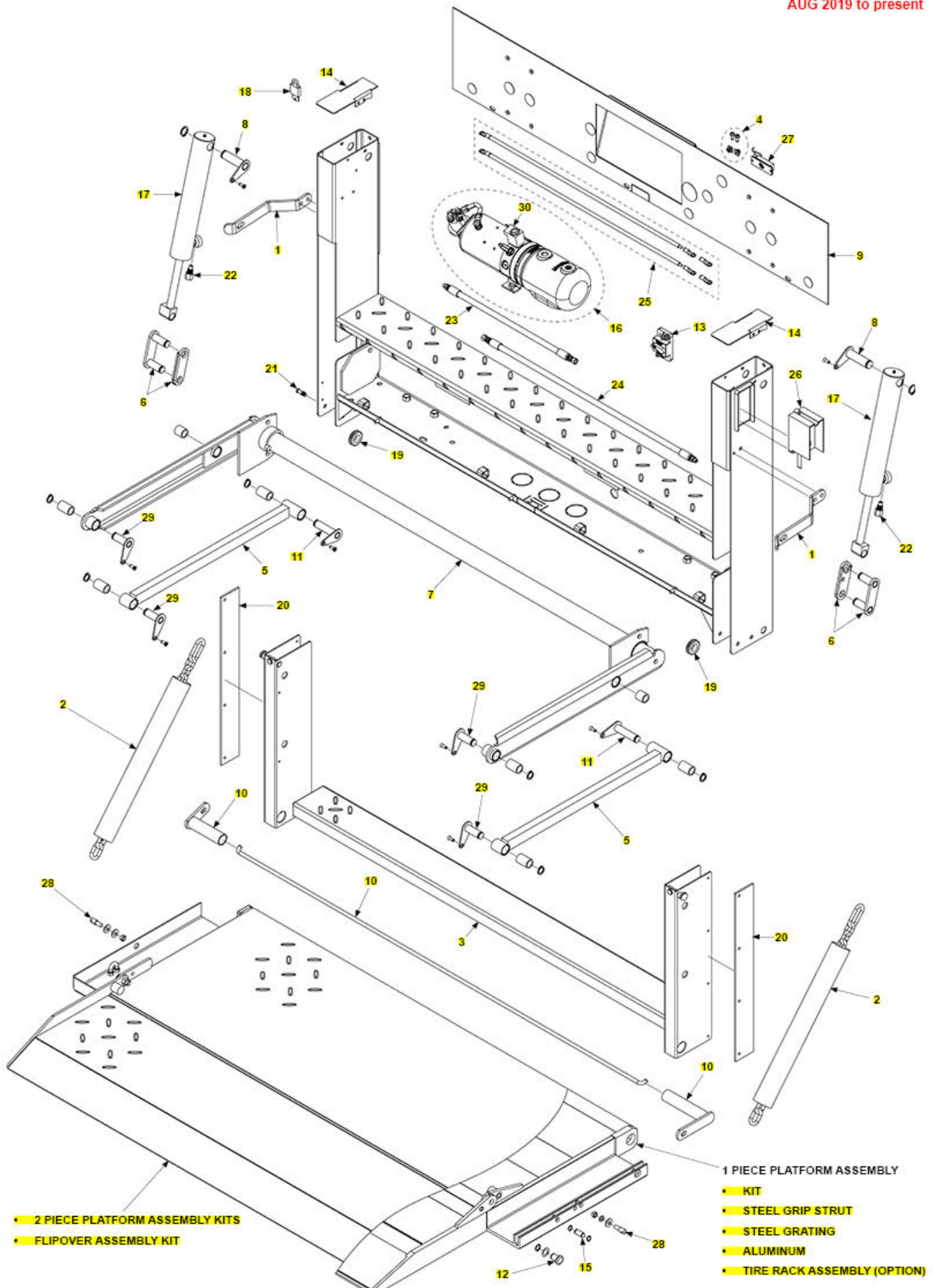


SPARE PARTS LIST**C2 Pickup****ME2 C2 PICKUP LIFTGATE - FINAL ASSEMBLY**

AUG 2019 to present



SPARE PARTS LIST

C2 Pickup

Pos	CPN	Qty	Description
1	295467-01	2	C2 RPLCMNT LATCH KIT (2017)
1	295467-01G	2	C2 RPLCMNT LATCH KIT, GALV (2017)
2	295436-01	1	C2 RPLC CHN & SLV ASSY (24 LINKS) (3883)
2	295437-01	1	C2 RPLC CHN & SLV P/F AL (26 LINKS) (6473)
2	295437-02	1	C2 RPLC CHN & SLV P/F AL (33 LINKS) (3884)
3	295439-01	1	C2 RPLC PINMOUNT ASSY, 61" LG (11303)
3	295439-01G	1	C2 RPLC PINMOUNT ASSY, 61IN LG, GALV, (11303)
4	295440-01	50000	LICENSE PLATE MOUNT KIT (1111)
5	295441-01	1	C2 54 & 60 RPLC PARALLEL ARM ASSY (11305)
5	295441-01G	1	C2 54 & 60 RPLC PARALLEL ARM ASSY, GALV, (11305)
6	295442-01	1	MASTER LINK WELDT (11306)
7	295443-01	1	C2 RPLC LIFTFRAME, 60" LG (11308)
8	295444-01	10	C2 7/8" RPLC CYLINDER PIN (2180)
9	299470-01	1	M/F COVER ASSY, 55.38IN LG, P/U
9	299470-01G	1	M/F COVER ASSY, 55.38IN LG, P/U, GALV
10	295446-01	1	RPLCMNT TOR-BAR PIN P/F 27" (1120)
10	295447-01	1	60 RPLC TOR-BAR PIN AL P/F 38" (8026, 8084)
11	295449-01	1	C2 3/4" RPLC BACK ARM PIN (2181)
12	295474-01	1	RPLC FLIPPER RIVET (4717)
13	295450-01	1	RPLCMNT 150 AMP CIRCUIT BREAKER (998)
14	295451-01	1	C2 RPLC COLUMN COVER (2015)
15	295473-01	1	RPLC PLATFORM CHAIN PIN (4712)
16	289401-01	1	12 VDC, PUMP & MOTOR
17	295454-01	1	C2 54 & 60 RPLCMNT CYLINDER (971)
18	908221-01	1	PADLOCK, 3/16" SHACKLE (966)
19	267047-01	1	GROMMET, BATTERY BOX (972)
20	295456-01	1	C2 RPLCMNT PLASTIC COVER (2143)
21	295472-01	1	REPLACEMENT DROPWAY PIN (1010)
22	906934-01	2	CYL, FLOW VALVE
23	289446-01	1	C2 1/4" HYD HOSE, 21" LONG (975)
24	289446-02	1	C2 1/4" HYD HOSE, , 52" LONG (976)

SPARE PARTS LIST

C2 Pickup

Pos	CPN	Qty	Description
25	295459-01	1	REPLACEMENT 4 GUAGE, 2-WIRE W/LUGS, 26FT. (4570)
26	295461-01	1	REPLACEMENT SWITCH CONTROL (987)
27	295462-01	1	REPLACEMENT LICENSE PLATE BRACKET (10199)
27	907210-01	1	LICENSE PLATE LIGHT ASSY KIT
28	295468-01	1	C2 REPLACEMENT PLATFORM LATCH PIN (2020)
29	295449-02	1	C2 3/4" REPLACEMENT FRONT ARM PIN (2183)
30	295465-01	1	SOLENOID WITH CONNECTOR (9645)
	296510-01	1	P/F WLDMT, AL 65.38X27.25+6
	295431-01	1	C2 60 RPCL, ST P/F 22"X65.25"+4" RAMP (4866)
	295469-01	1	C2 60 RPLC ST F/O 11+4X55.25" (962)
	295470-01	1	C2 60 RPLC ST F/O 11+7X55.25" (963)
	295471-01	1	C2 60 RPLC AL F/O 11+6" (1882)
	295432-01	1	C2 60 RPLC, ST P/F+FO, 37"(22+11+4)X65.25" (4867)
	295433-01	1	C2 60 RPLC, ST P/F+FO, 44" (26+11+7)X65.25" (48.68)
	295434-01	1	60 RPLC PF&F/O, AL 65.38X38+6"RP(1632)
	295435-01	1	C2 60 RPLC P/F&F/O AL 65.38X48+6"RP (4799)