

SPARE PARTS LIST

GPC

FINAL ASSEMBLY

DEC 2018 to present

AVAILABLE KITS:

UNDER-RUN END CAPS
(INCLUDES ITEM 1 AND 2)

POWER PACK HARDWARE
(INCLUDES ITEM 3, 4, 5 AND 6)

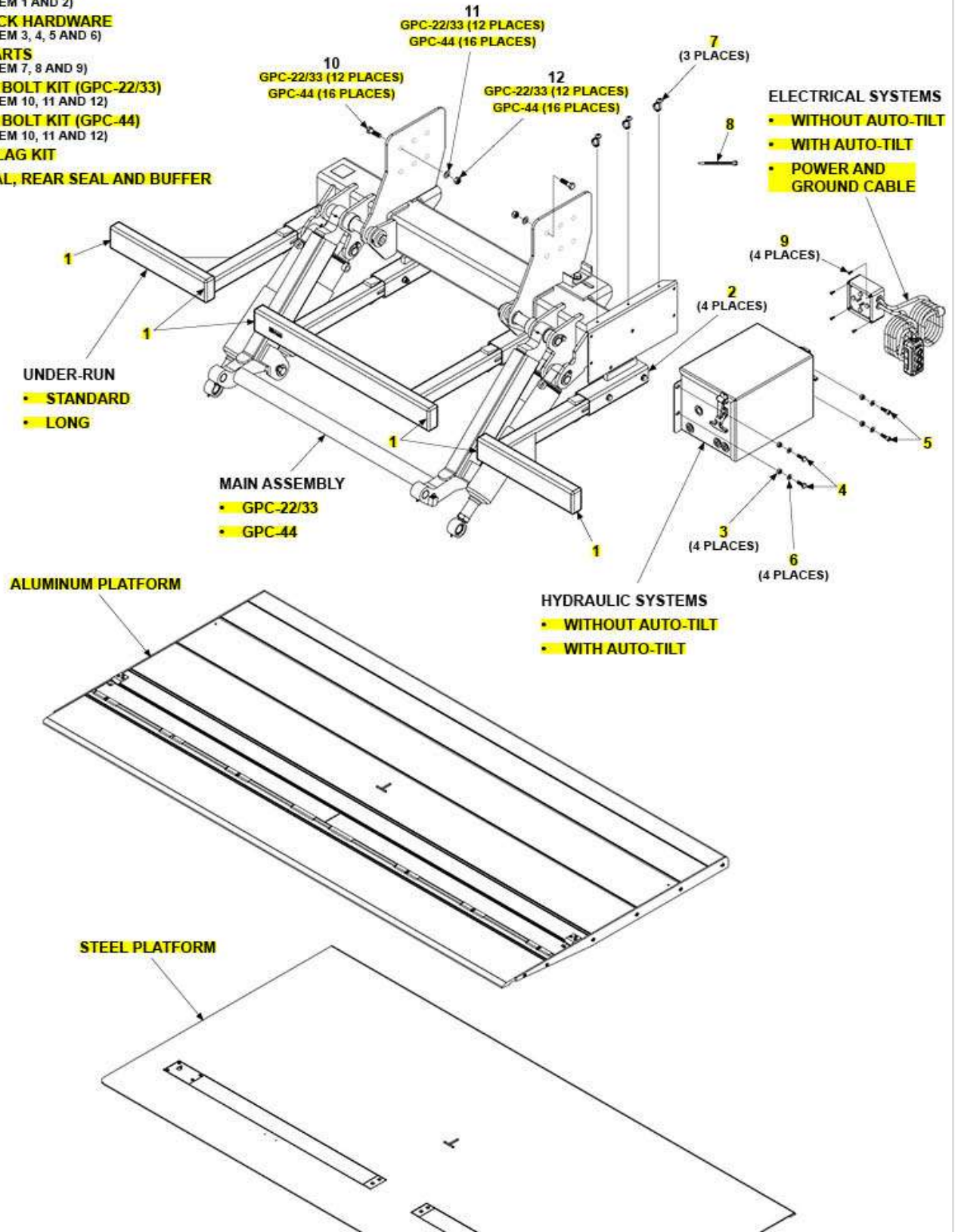
SUNDRY PARTS
(INCLUDES ITEM 7, 8 AND 9)

MOUNTING BOLT KIT (GPC-22/33)
(INCLUDES ITEM 10, 11 AND 12)

MOUNTING BOLT KIT (GPC-44)
(INCLUDES ITEM 10, 11 AND 12)

MARKER FLAG KIT

FLOOR SEAL, REAR SEAL AND BUFFER



SPARE PARTS LIST

GPC

Pos	CPN	Qty	Description
1	5-13024	6	100X50 PLASTIC END CAPS
2	5-13090	4	60X60 BLACK PLASTIC END CAPS
3	NB13510-P	4	M10 P TYPE NYLOC NUT (BZP,8.8)
4	NB13510-30S	2	M10 X 30 HT SETSCREW
5	NB13510-30SH	2	M10X30 SOCKET HEAD CAPSCREW CL
6	902013-11	4	WASHER, FLAT 3/8" ZC
7	EH13176	4	CABLE TIE MOUNTING BASE
8	205780	40	TIE, PLASTIC 7" (50 LB)
9	5-03048	4	NO12X3/4"SELFTAPPING SCREW,BZP
10	NB13514-50	12	M14X50 HEX HD BOLT (8.8 BZP)
11	NB13514-W	12	M14 PLAIN WASHER (BZP)
12	NB13514-P	12	M14 P TYPE NYLOC NUT, 8.8 BZP
10	NB13514-50	16	M14X50 HEX HD BOLT (8.8 BZP)
11	NB13514-W	16	M14 PLAIN WASHER (BZP)
12	NB13514-P	16	M14 P TYPE NYLOC NUT, 8.8 BZP
REF	PL00394	1	U/RUN END CAPS BOLT ON
REF	PL00154	1	RS10-15 HYDRAULIC ASSY SUNDRIE
REF	PL00433	1	SUNDRY PARTS
REF	PL00456	1	MOUNTING BOLT KIT M14X50 OPTN
REF	PL00113	1	H/DTY MOUNTING BOLT KIT M14X50