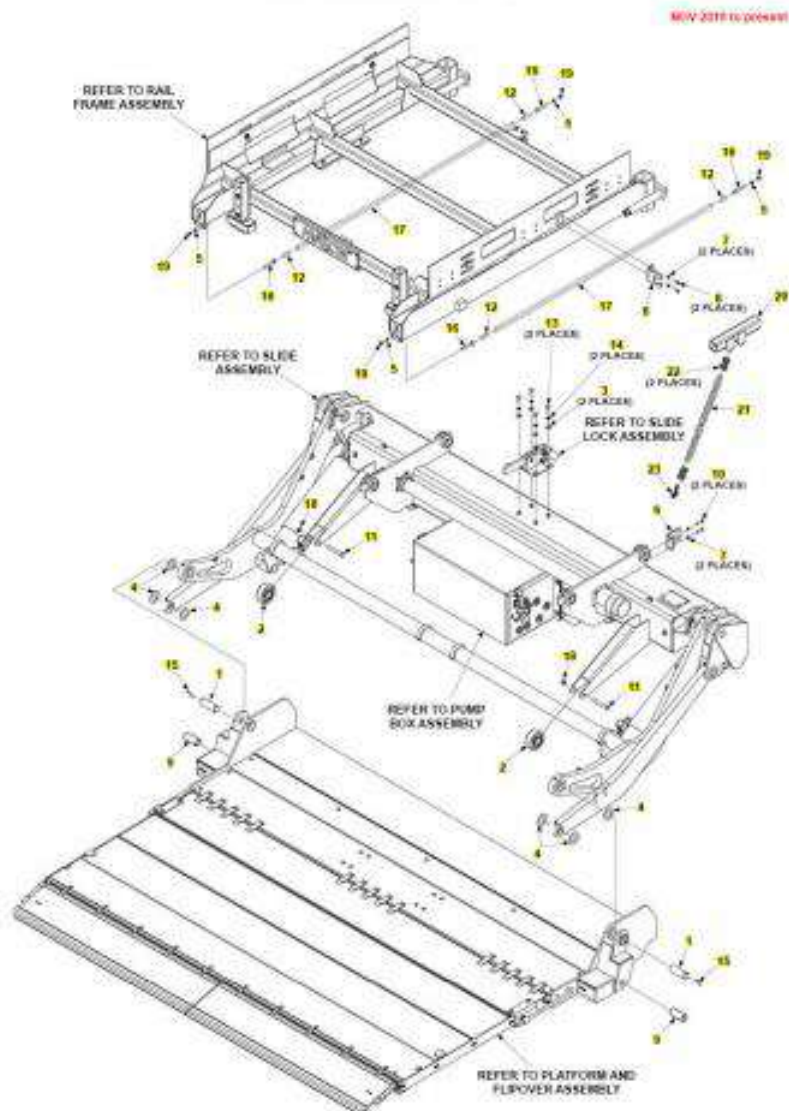


MAXON	09/15/2020	Page	1	of	2
	Spare Parts				
SPARE PARTS LIST GPSLR-33 & GPSLR-44 MAINTENANCE MANUAL M-08-14 REV D					
MAIN ASSEMBLY WITH NO CONTROLLER					



MAXON	09/15/2020	Page	2	of	2
	Spare Parts				
SPARE PARTS LIST GPSLR-33 & GPSLR-44 MAINTENANCE MANUAL M-08-14 REV D					

Pos	CPN	Qty	Description
1	RSM0052	2	SL 15 DRILLED PIN (3.30"LG)
2	280082-01	2	ROLLER, OPENER, 3.5 X 1.25 X .5
3	902001-2	4	WASHER, FLAT 3/8X1/16 ZC
4	908078-02	8	FB THRUST BEARING, 1.25 ID
5	902000-8	4	WASHER, FLAT .312 .063 THK
6	268514-01	2	BRACKET CONDUIT MNT
7	902011-3	4	WASHER, LOCK 5/16X5/64 G8 ZC
8	900009-1	2	SCREW, CAP 5/16-18X5/8 GR8 ZC
9	285217-01	2	SL 15 TILT ARM PIN (2.93")
10	900009-5	2	SCREW, CAP 5/16-18X1-1/4 G8 ZC
11	900033-10	2	SCREW, CAP 5-20X3.5 GR8 ZC
12	268263-01	4	LINK, CONNECTING ANSI#50
13	900014-4	4	SCREW, HEX CAP 3/8-16X1, G8, ZC
14	902011-4	4	WASHER, LOCK 3/8X.094 ZC
15	905033-5	2	ROLL PIN .250 O.D.X2.00"LG
16	RSM0017	4	SL15 CHAIN ADJUSTER
17	268262-12	2	CHAIN, CRES, ANSI #50, 83 LINKS
18	901008	2	NUT, NYLON 1/2-20 ZC
19	901001	4	NUT, NYLON 5/16-18 ZINC
20	287133-01	1	MNTG LATCH CAINH WELDMENT
21	282868-07	1	CHAIN GALV. .38X18.10 LG
22	285989-01	2	CHAIN SHACKLE
23	225990	1	HOOK, SNAP 3/4X4 750# ZINC