

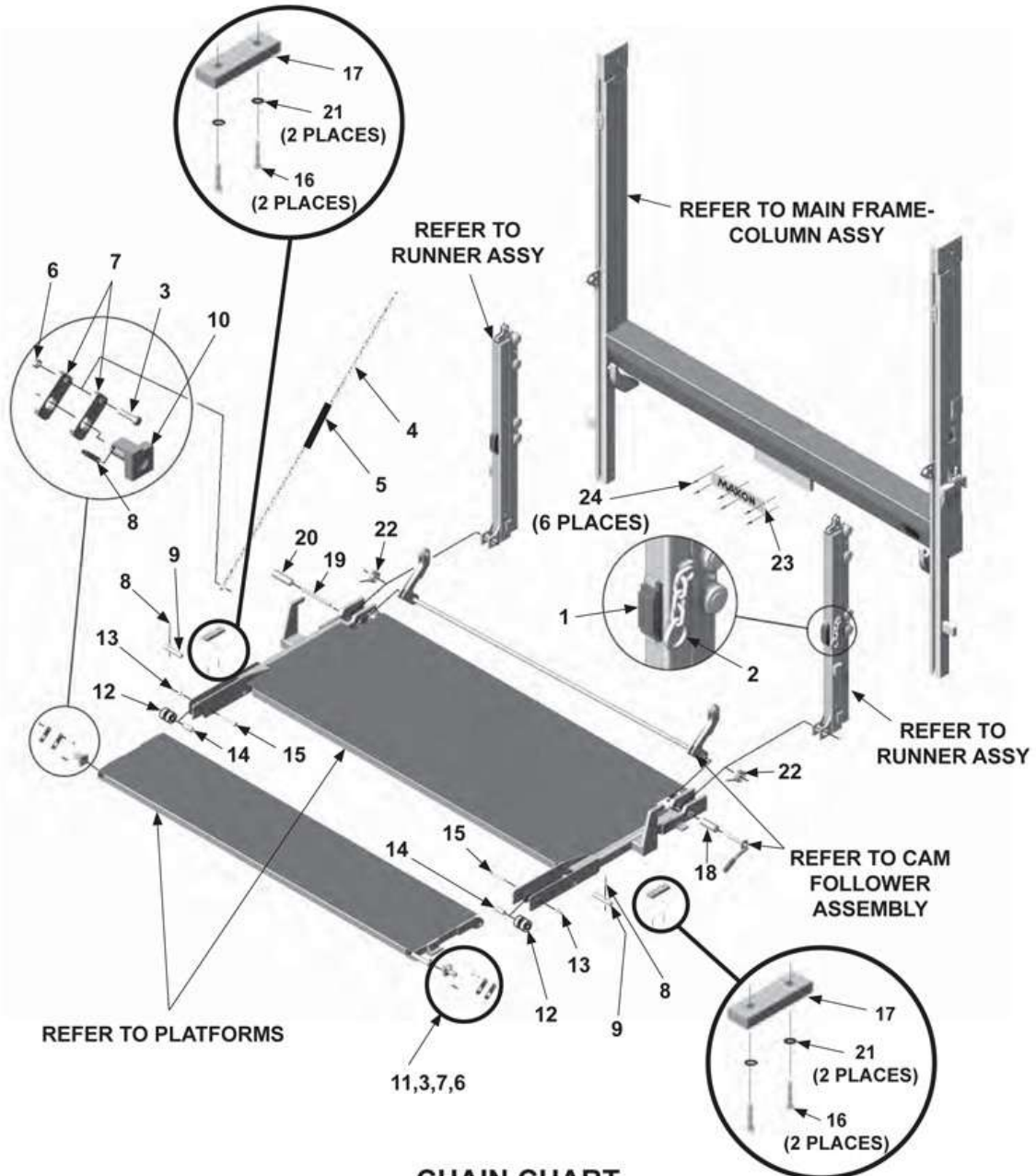
SPARE PARTS LIST

RC-2B, RC-3B, RC-4B, RC-5B, RC-6B, RC-6K MAINTENANCE MANUAL M-12-22
RC MAIN ASSEMBLY-1

**PARTS BREAKDOWN
MAIN ASSEMBLY-1**

October 2012 to present

MAXON
11921 Slauson Ave. Santa Fe Springs, CA. 90670 (800) 227-4116 FAX (888) 771-7713



CHAIN CHART

| | 42" PLATFORM | 48" PLATFORM | 54" PLATFORM | 60" PLATFORM | 66" PLATFORM | 72" PLATFORM | 78" PLATFORM | 84" PLATFORM | 96" PLATFORM |
|------------------|------------------------|------------------------|------------------------|------------------------|------------------------|------------------------|-------------------------|-------------------------|-------------------------|
| RC-2B, 3B | 202698-01 60" CHAIN | 202698-02 64" CHAIN | 202698-03 68" CHAIN | 202698-04 72" CHAIN | 202698-05 77" CHAIN | 202698-06 82" CHAIN | | | |
| RC-4B | 202698-07 65" CHAIN | 202698-08 69" CHAIN | 202698-09 73" CHAIN | 202698-05 77" CHAIN | 202698-06 82" CHAIN | 202698-10 86" CHAIN | | | |
| RC-5B | | | | 202698-11 84" CHAIN | 202698-12 88" CHAIN | 202698-13 92" CHAIN | 202698-14 97" CHAIN | 202698-15 102" CHAIN | 202698-16 112" CHAIN |
| RC-6B | | | | | | | 202698-17 104" CHAIN | 202698-18 108" CHAIN | 202698-19 118" CHAIN |

SPARE PARTS LIST

RC-2B, RC-3B, RC-4B, RC-5B, RC-6B, RC-6K MAINTENANCE MANUAL M-12-22
RC MAIN ASSEMBLY-1

| Pos | CPN | Qty | Description |
|-----|-----------|-----|--------------------------------|
| 2 | 250784 | 1 | CHAIN RETENTION 1PC P/F |
| 2 | 252452 | 1 | RET.CHAIN WLDT RC-2PC |
| 3 | 030041 | 1 | BOLT 3/8-24X1.75 GR8 ZC |
| 5 | 202840 | 1 | COVER, CHAIN 1X1.5X9 2HOLE RUB |
| 6 | 203853 | 1 | NUT, NYLON LOCK 3/8-24 ZC |
| 7 | 202671 | 1 | RUNNER LINK X 3-3/8" |
| 8 | 904717-06 | 1 | PIN ROLL .38 X 2 ZINC |
| 9 | 251859 | 1 | PIN FS X 4-7/8" |
| 10 | 222210-01 | 1 | CHAIN ANCHOR RC |
| 11 | 222210-02 | 1 | CHAIN ANCHOR RC |
| 12 | 280594-01 | 1 | ROLLER, NYLON |
| 13 | 901016-1 | 1 | NUT HEX THN HD LKG.500-20UNF |
| 14 | 280596-01 | 1 | BUSHING |
| 15 | 202466 | 1 | BOLT, 1/2-20X3-5/8 GR8 ZC |
| 16 | 225279 | 1 | SCREW 1/4-14X1-1/2 TEK ZC |
| 17 | 225278-02 | 1 | BUMPER, 3/4X1.5X5 2HOLE RUBBER |
| 18 | 253343 | 1 | PIN P/F HINGE RC'S |
| 19 | 221905 | 1 | CAM FOLLOWER PIN X 7-3/4" |
| 20 | 221931 | 1 | HINGE PIN 1-1/2 X 4-7/8 |
| 21 | 902013-09 | 1 | WASHER 1/4"ZINC-SAME030564 |
| 22 | 202527 | 1 | SPRING, TORSION .437X1-7/8 RC |
| 23 | 050175 | 1 | PLATE, MAXON HORZ 3.25X15X.032 |
| 24 | 207644 | 1 | RIVET BLND.19 X.58 DOME |
| NA | 202698-01 | 1 | CHAIN X 60" (1/4) |
| NA | 202698-02 | 1 | CHAIN X 64" |
| NA | | 1 | Please call customer service |
| NA | 202698-04 | 1 | CHAIN X 72" (1/4) |
| NA | 202698-05 | 1 | CHAIN X 77" (1/4) |
| NA | 202698-06 | 1 | CHAIN X 82" (1/4) |
| NA | | 1 | Please call customer service |

SPARE PARTS LIST**RC-2B, RC-3B, RC-4B, RC-5B, RC-6B, RC-6K MAINTENANCE MANUAL M-12-22**
RC MAIN ASSEMBLY-1

| Pos | CPN | Qty | Description |
|------------|------------|------------|-------------------------------|
| NA | 202698-08 | 1 | CHAIN X 69" |
| NA | 202698-09 | 1 | CHAIN X 73" |
| NA | 202698-05 | 1 | CHAIN X 77" (1/4) |
| NA | 202698-06 | 1 | CHAIN X 82" (1/4) |
| NA | 202698-10 | 1 | CHAIN X 86" (1/4) |
| NA | 202698-11 | 1 | CHAIN X 84" (1/4) |
| NA | 202698-12 | 1 | CHAIN X 88" |
| NA | 202698-13 | 1 | CHAIN X 92" (1/4) |
| NA | 202698-14 | 1 | CHAIN X 97" (1/4) |
| NA | 202698-15 | 1 | CHAIN X 102"(1/4) |
| NA | 202698-16 | 1 | CHAIN X 112"(1/4) |
| NA | 202698-17 | 1 | CHAIN X 104" |
| NA | 202698-18 | 1 | CHAIN X 108"(1/4) |
| NA | 202698-19 | 1 | CHAIN X 118"(1/4) |
| 1 | 227426 | 1 | BUMPER, 3/4X1-5/8X5 END SLOTS |