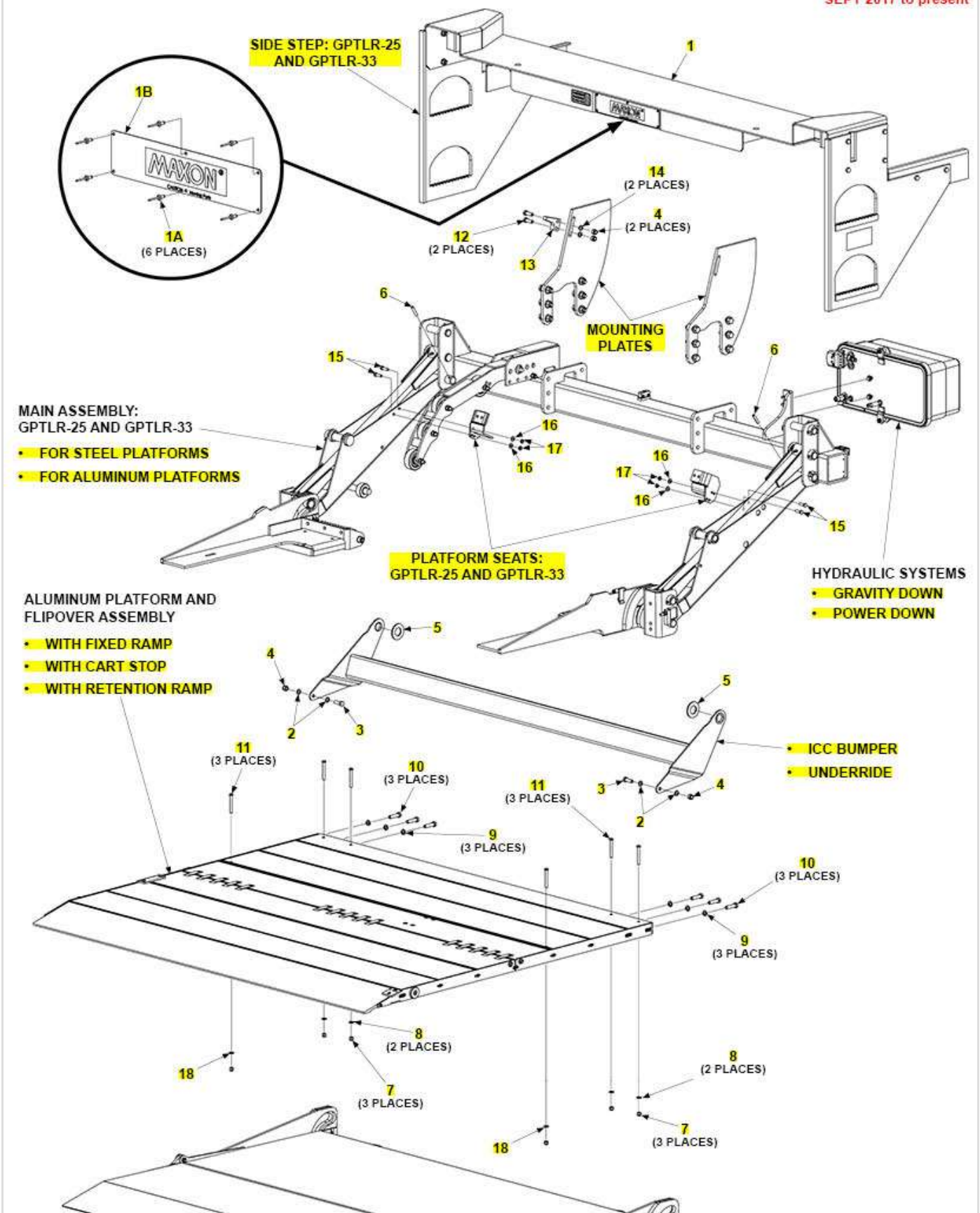


SPARE PARTS LIST

GPTLR-25/3/4/5

FINAL ASSEMBLY: GPTLR-25 AND GPTLR-33

SEPT 2017 to present



SPARE PARTS LIST

GPTLR-25/3/4/5

Pos	CPN	Qty	Description
1	281090-01G	1	EXT PLATE ASSY,96"LG,GAL
1	281090-02G	1	EXT PLATE ASSY,102"LG,GAL
1A	207644	6	RIVET BLND.19 X.58 DOME
1B	266705-01	1	PLATE, MAXON, 3.25 X 15, BLK
2	902000-14	4	WASHER, FLAT .500X.063 THK
3	900035-3	2	SCREW,CAP HXHD.5-13UNC-2A 1.50
4	901010	4	NUT, NYLON LOCK 1/2-13 ZC
5	902013-21	2	WASHER, FLAT 1-3/8" ZC
6	904717-06	2	PIN ROLL .38 X 2 ZINC
7	901002	6	NUT, NYLON 3/8-16 ZINC
8	902013-11	6	WASHER, FLAT 3/8" ZC
9	902011-6	6	WASHER, LOCK 1/2X1/8 ZC
10	900035-5	6	SCREW,CAP HXHD.5-13UNC-2A 2.00
11	900064-08	6	SCREW,BTN .38-16X3.25
12	900035-7	2	SCREW,CAP HXHD.5-13UNC-2A 2.50
13	281673-01	1	BLOCK, STOP
14	902000-16	2	WASHER, FLAT .562 .063 THK
15	900014-5	4	SCREW,HEX CAP.38-16X1.25,G8,ZC
16	902000-10	4	WASHER, FLAT .375X.063 THK
17	901016-4	4	NUT HEX THN HD LKG.375-16UNC
18	902001-1	2	WASHER, FLAT.375 I.D. .125 THK