

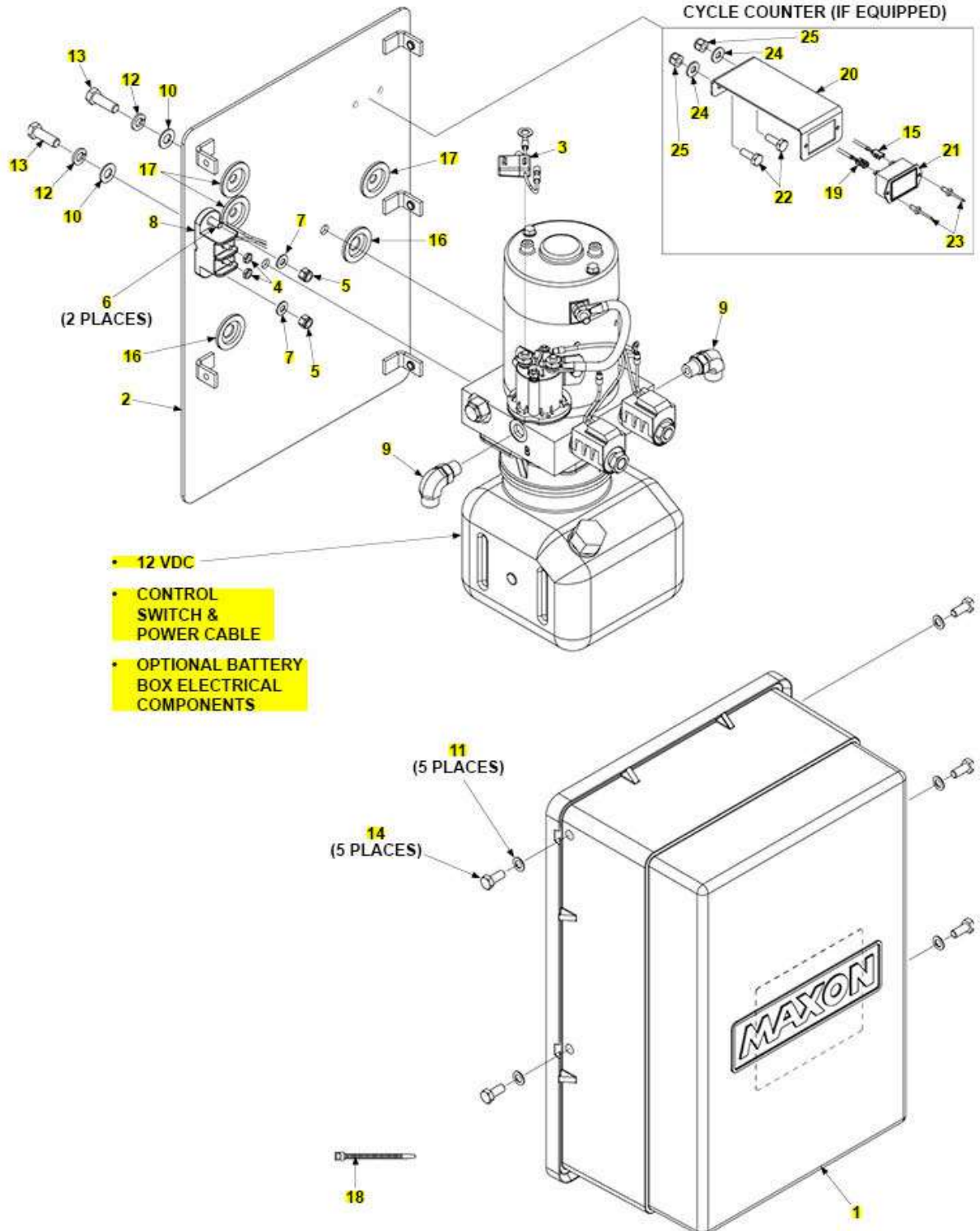
SPARE PARTS LIST

TE-15/20/25/30

PUMP ASSEMBLY (POWER DOWN)

COMPLETE ASSEMBLY:
PUMP ASSEMBLY (POWER DOWN)

MAY 2017 to present



SPARE PARTS LIST

TE-15/20/25/30

Pos	CPN	Qty	Description
REF	287075-01G	1	PUMP ASSY,12V,P/D,G
REF	287075-02G	1	PUMP ASSY,12V,P/D,CC,G
1	266419-01	1	COVER ASSY, TUK-A-WAY PUMP
2	296919-01G	1	PLATE WLDMT, P/D PMP MT, GALV
3	297046-01	1	FUSE HOLDER ASSY
4	903172-01	2	NUT, NYL INSRT STOP 10-32 SS
5	903137-01	2	NUT, NYL INSRT STOP .25-20 SS
6	900000-4	2	BOLT, HX 1/4-20X1 GR8 ZC
7	903412-01	2	WASHER,FLAT .25,SS
8	296859-01	1	POWER DOWN MODULE
9	906707-01	2	ELBOW, NPSC,SAE #6 F/S O-R M-M
10	902013-11	2	WASHER, FLAT 3/8" ZC
11	902000-7	5	WASHER, FLAT .312 .032 THK
12	902011-4	2	WASHER, LOCK 3/8X.094 ZC
13	900014-21	2	SCREW, HEX CAP .38-16X1.125, G8, ZC
14	900009-3	5	BOLT,HEX 5/16-18X3/4 GR8 ZC
15	297274-01	1	WIRE ASSY, POS LOCK, RING TERM,BLK
16	266428-06	2	GROMMET, 1.0 DIAPH .56 HOLE
17	266428-04	3	GROMMET, 1.0 DIAPH .38 HOLE
18	205780	3	TIE, PLASTIC 7" (50 LB)
19	297274-02	1	WIRE ASSY, POS LOCK, RING TERM,RED
20	297358-01	1	BRACKET, DIGITAL C/COUNT
21	297269-01	1	DIGITAL CYCLE COUNTER
22	900004-2	2	SCREW, CAP 1/4-20X3/4 GR8 ZC
23	903721-01	2	RIVET, BL/DM, SS .16X.02-.13
24	902013-09	2	WASHER1/4"ZINC-SAME030564
25	901000	2	NUT, NYLON 1/4-20 ZINC