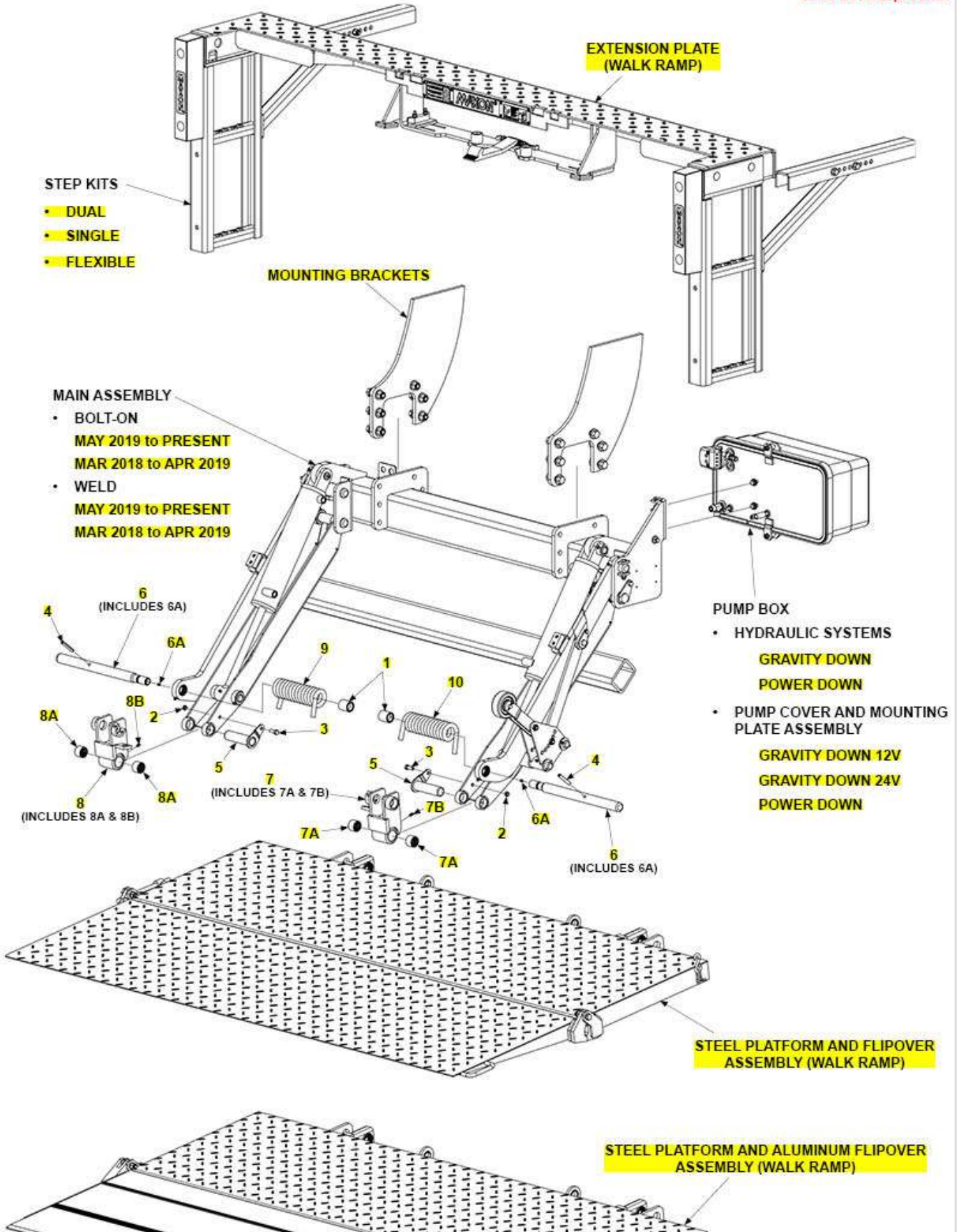


SPARE PARTS LIST

TE-33

FINAL ASSEMBLY WITH STEEL PLATFORM (WALK RAMP)

MAR 2018 to present



SPARE PARTS LIST
TE-33

Pos	CPN	Qty	Description
1	285098-01	2	BUSHING ASSY, P/F SPRING
2	226941	2	NUT, NYLON LOCK 3/8-24 THIN ZC
3	030034	2	BOLT 3/8-24X1 GR8 ZC
4	904717-08	2	PIN ROLL .38 X 2.5 ZINC
5	284210-01	2	PIN ASSY,SHACKLE
6	288348-01	2	PIN, SPRING ASSY
6A	224342	1	FITTING, GREASE 1/4"SELF DRILL
7	284202-04	1	SHACKLE ASSY,RH,LB
7	284202-04G	1	SHACKLE ASSY,RH,LB,GALV
7	284215-04	1	SHACKLE ASSY, RH,HB
7	284215-04G	1	SHACKLE ASSY,RH,HB, GALV
7A	908177-02	2	BEARING,PRES LUBRICATING 1.25ID X 1.0 LG
7B	224342	1	FITTING, GREASE 1/4"SELF DRILL
8	284202-01	1	SHACKLE ASSY,LH, LB
8	284202-01G	1	SHACKLE ASSY,LH,LB,GALV
8	284215-01	1	SHACKLE ASSY,LH, HB
8	284215-01G	1	SHACKLE ASSY,LH,HB, GALV
8A	908177-02	2	BEARING,PRES LUBRICATING 1.25ID X 1.0 LG
8B	224342	1	FITTING, GREASE 1/4"SELF DRILL
9	284541-02	1	TORSION SPRING,P/F,RH
10	284541-01	1	TORSION SPRING,P/F,LH