

# TUK-A-WAY® SERIES

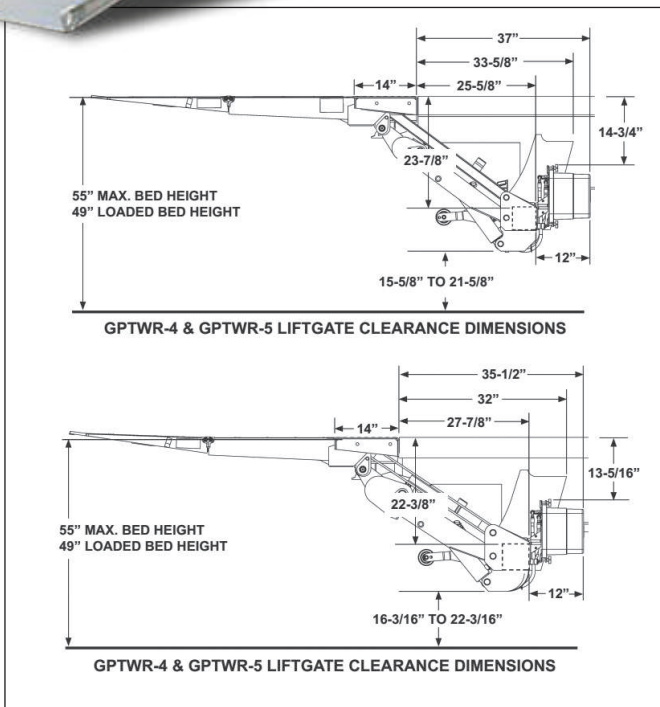
The GPTWR-25, GPTWR-3, GPTWR-4, GPTWR-5 Series



## GPTWR SPECIFICATIONS

The GPTWR series Tuk-A-Way is the #1 selling liftgate series in the world. The *newly updated GPTWR* now offers a bolt-on extension plate and steps (with and w/o lights). The large aluminum platform makes it ideal for almost every application including large carts or pallets. The Level Ride design keeps the driver and cargo safe and the lightweight aluminum finish will look great for years to come.

- Walk Ramp Ready
- Rust proof extruded all aluminum 60"D X 80"W lightweight platform provides ample size without the increased weight of older steel designs
- Recessed hinge design provides flat loading surface over entire width of platform
- Bolt-on extension plate and steps
- Potted toggle switch
- Power down and power tilt
- The motor solenoid on all GPTWR's has been upgraded from 120 amp to 200 amp for superior performance



GPTWR Lift Dimensions and Mounting Requirements

NOTE: Please review appropriate liftgate installation manual for full vehicle and or body requirements to ensure proper fitment.

MODEL CAPACITY	OVERALL WEIGHT	PLATFORM SIZE	BED HEIGHT
GPTWR-25 (2500 Lbs.)	(1105 LBS.)	60" X 80"	49" Laden 55" Unladen
GPTWR-3 (3000 Lbs.)	(1115 LBS.)		
GPTWR-4 (4000 Lbs.)	(1130 LBS.)		
GPTWR-5 (5000 Lbs.)	(1140 LBS.)		



# TUK-A-WAY® SERIES

The GPTWR-25, GPTWR-3, GPTWR-4, GPTWR-5 Series

# MAXON®

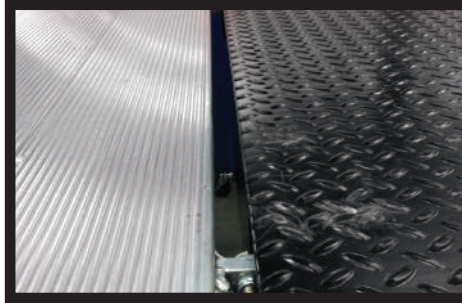
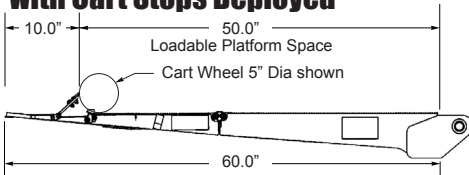
## Standard Equipment

- SmartSpace
- Bolt-on Step & Extension Plate (note: can also be welded to the body)
- Extruded All Aluminum Platform
- Power Down & Power Tilt
- Hydraulic Lock Valve
- Recessed Platform Hinge
- Greasable Pins with Zerk Fittings on All Major Pivot Points
- 14" Long Rubber Dock Bumper

## Optional Features

- 2-Step Bolt-On HD Dock Bumpers w/ Light Cut Outs
- Flexible Cable Steps
- Automatic Cart Stops (Single or Dual)
- MAX GRIP®
- Cab Cut Off Switch
- Hand Held Remote
- Max On-Lok® (Dock Lock Receiver-by Special Order Request)
- FMVSS and CMVSS Certified Underride
- Galvanized Finish

## Loadable Platform Space with Cart Stops Deployed



## SmartSpace

Maxon has added a gap (SmartSpace) between the liftgate and the extension plate. This feature makes liftgates more efficient and safe to use.



## Bolt-On Extension Plate and Steps

Bolting on the extension plate and steps, versus the current practice of welding, has two crucial advantages: it overcomes corrosion issues - induced by welding and repainting and it simplifies installation.



## Aluminum Platform MAX GRIP® OPTIONAL

Lightweight aluminum platform design with recessed hinges provides a flat loading surface over entire width of platform. The platform features dual assist torsion springs that minimize the opening and closing force. Optional available with knurled surface (MAX GRIP®).



## Max On-Lok®

By special order request (SOR) all GPTs can be ordered with the Max On-Lok® kit which makes them compatible with the most common vehicle dock restraint systems.



## MAXPRO® Paint or GALVANIZED Finish

This patented, Maxon exclusive paint process has a tough polyurea top coat and an AL rich primer that combat corrosion and keep the liftgate looking like new. For even more corrosion protection, the GPTWR is also available in a galvanized finish.

Distributed by:

M-181-0916



Maxon Lift Corp. 11921 Slauson Ave., Santa Fe Springs, CA 90670  
800.227.4116 Fax 888.771.7713, www.maxonlift.com